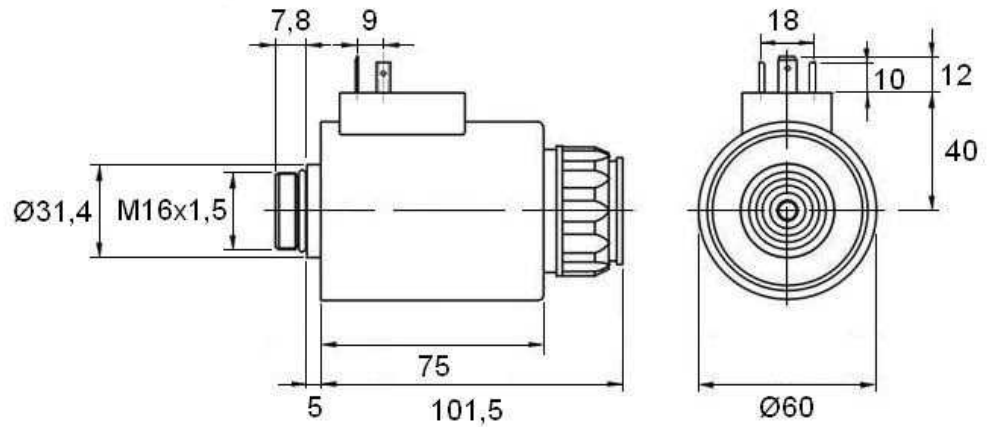
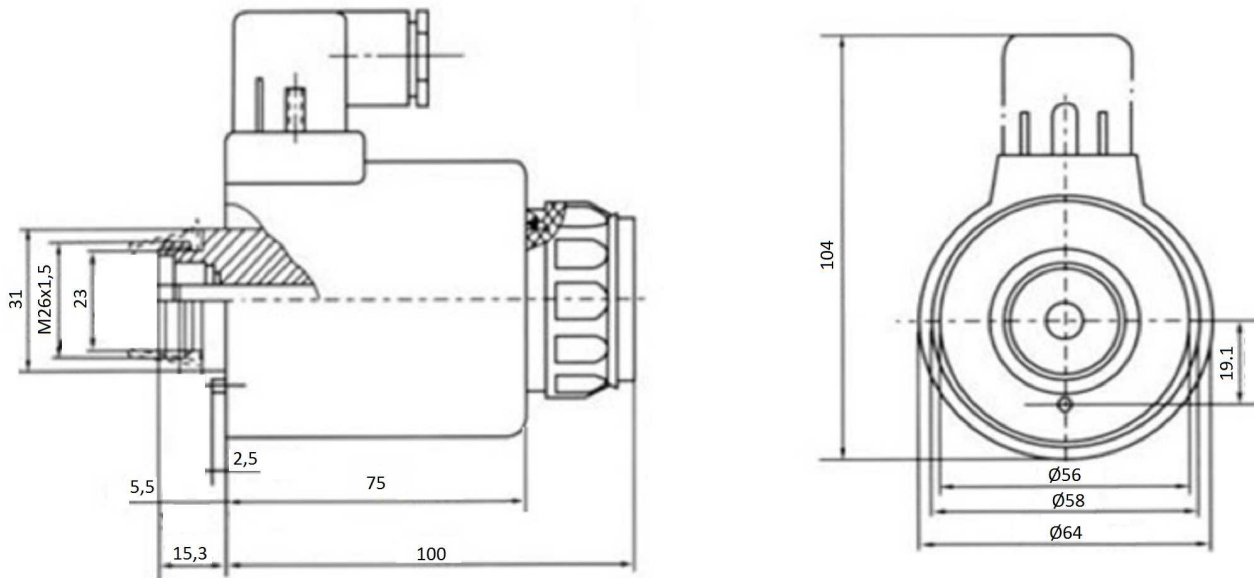


MR-10- ... H:



MR-10- H 1:



Power Consumption ≤ 37 W

Insulation Class F

Working Pressure 210 bar

ED 100%

IP class IP 65

Solenoid valves

NG10 Solenoid valve

NG10 Solenoid

Page: 2/2

Part n°	Size	Voltage (V)	f (Hz)	Ø nucleus
MR-10-12CC H	NG-10	12 VDC		31,6
MR-10-24CC H	NG-10	24 VDC		31,6
MR-10-110AC H	NG-10	110 VAC	50	31,6
MR-10-220AC H	NG-10	220 VAC	50	31,6
MR-10-12060CA H	NG-10	120VAC/60	60	31,6
MR-10-12CC H 1	NG-10	12 VDC		31
MR-10-24CC H 1	NG-10	24 VDC		31
MR-10-110CA H 1	NG-10	110 VAC	50	31
MR-10-220CA H 1	NG-10	220 VAC	50	31
MR-10-48CC H 1	NG-10	48 VDC		31