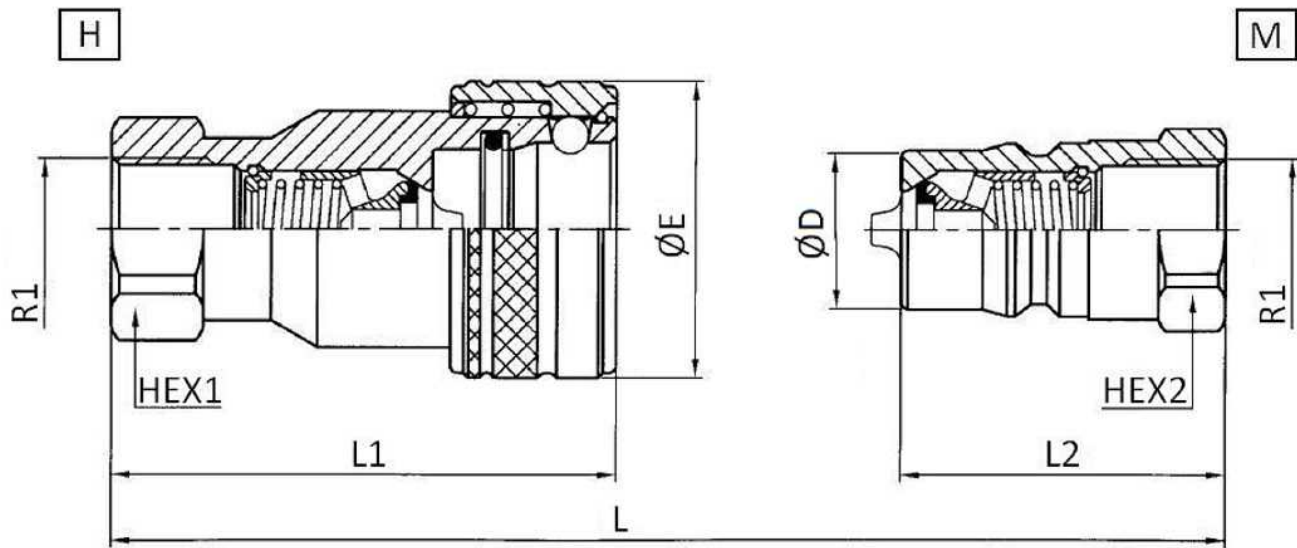


ISO 7241- A Quick release coupling BSP

Mild Steel

1/1

**Material:** Steel**Seals:** NBR**Working temperature:** -20°C / +100°C

Part n°	R1	Working Pressure (bar)	ISO size	BG size	L	L1	L2	HEX 1	HEX 2	ØD	ØE	Water flow (l/min)	Coupling
B800104	1/4" BSP	350	6,3	1	71		35,5		19	11,85		11	M
B800106	3/8" BSP	350	10	2	75		36,5		22	17,3		23	M
B800108	1/2" BSP	275	12,5	3	88		43,5		27	20,55		45	M
B800112	3/4" BSP	275	20	4	110		57		35	29,1		105	M
B800116	1" BSP	250	25	5	120		59,5		41	34,35		189	M
B800204	1/4" BSP	350	6,3	1	71	50		19			26	11	F
B800206	3/8" BSP	350	10	2	75	56		22			31,5	23	F
B800208	1/2" BSP	275	12,5	3	88	66		27			38,5	45	F
B800212	3/4" BSP	275	20	4	110	80		34			48	105	F
B800216	1" BSP	250	25	5	120	94		41			58	189	F